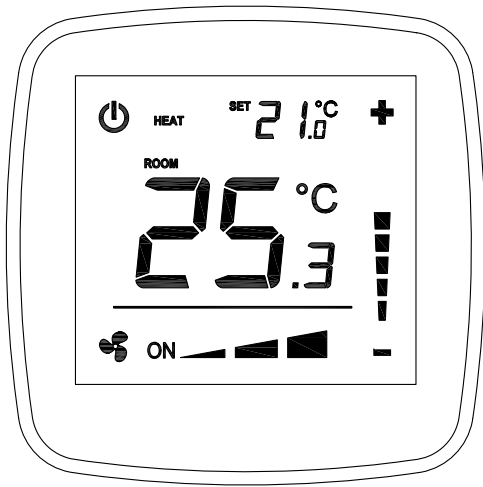


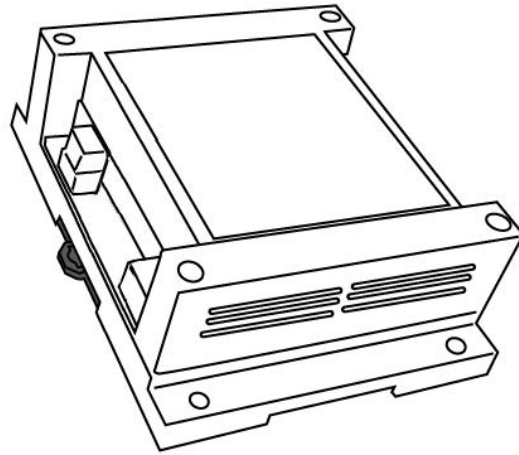
SAVE THIS INSTRUCTIONS

TH-1732C + TH-1732D Thermostat Installation Guide

3 Speed Fan / 0-10V control / 3 Way Heating/Cooling Valve Modbus® RTU & TCP/IP Communications



Control panel TH-1732C



Controller TH-1732D

1) Features:

- Easy operation and settings with touch key function displayed on LCD.
- Temperature Differential adjustable.
- Temperature reading calibration(offset).
- Both Set & Room Temperature Displayed.
- Anti-freeze protection.
- User settings can be retained when the thermostat is power off.
- Setback function(Remote ON/OFF)
- Three system mode (Heat/Auto/Cool) Independent temperature set point
- Three speed FAN, ON or Auto speed control.
- Control panel and controller use RJ45 jack wiring connection, easy to install.
- MODBUS:RTU/SLAVE protocol
Interface: RS-485
Baud rate: 9600/19200 bps
- Temperature adjustment scale : 0.5°C
- Temperature reading calibration:-5 ~ +5°C
- Antifreeze protection: 5.0°C (Standby mode Only)
- Switching differential (Hysteresis) : 0.2°C/0.4°C/0.6 °C/0.8°C/ 1°C
- Temperature sensor : 10K Ohm NTC
- Temperature display resolution: 0.1°C.
- Sampling resolution: 1 minute interval.
- Storage temperature : -10°C ~ 60°C.
- System mode: Heat/Auto/Cool
- Fan Mode: Off/Low/Med/High/Auto
- Setback energy saving temperature: Heat: 16°C / Cool: 27°C

2)Technical data:

Control panel (TH-1732C):

- Power supply : 18VDC from controller (TH-1732D-2 OR TH-1732D-3)
- Power consumption : 3 VA.
- Display : LED-backlit, 2 colors LCD.
- Temperature indication : Celsius.
- Temperature display range : 0°C ~ 50°C
- Temperature control range : 5 ~ 35°C

Controller (TH-1732D-2):

- Power supply : 200-240Vac,50-60Hz
- Power consumption : 7 VA.
- Output: Dry contact (SPST,SPDT)
- Output rating: 5(2.5)A/250Vac
- Remote Setback input contact: NO or NC (Select by jumper) Power
- Indicator: Green LED
- Alarm Indicator: Red LED

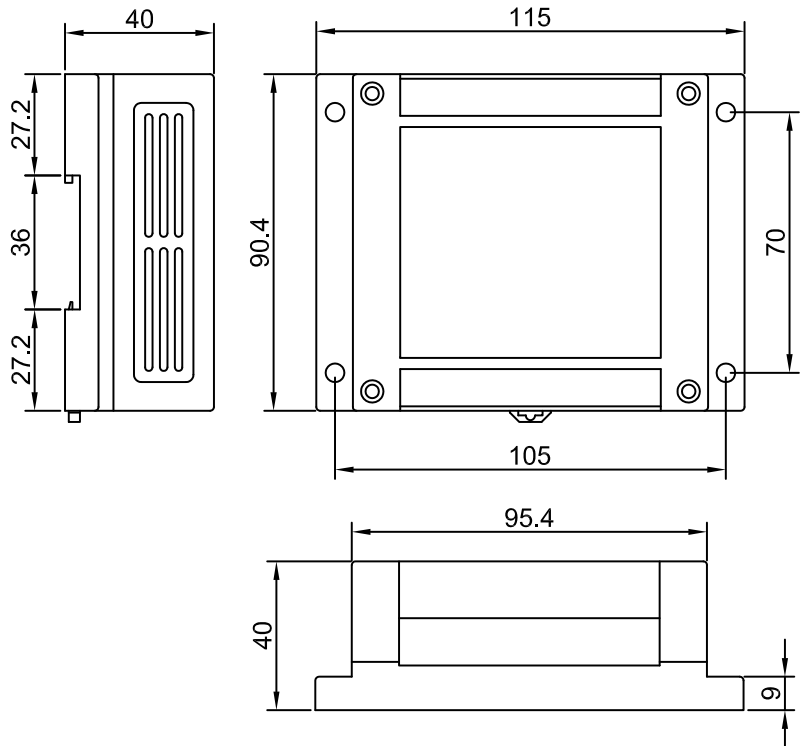
SAVE THIS INSTRUCTONS

Controller (TH-1732D-3):

- Power supply : 24Vac,50-60Hz
- Power consumption : 7 VA.
- Output: Dry contact (SPST,SPDT)
- Output rating: 5(2.5)A/250Vac
- Analog Output: 0-10VDC or 4-20mA (Select by jumper)
Control signal load(Resistive):
0-10VDC ,Minimum 1000Ω
4-20mA ,100-500Ω
- Remote Setback input contact:
NO or NC (Select by jumper)
- Power Indicator: Green LED
- Alarm Indicator: Red LED

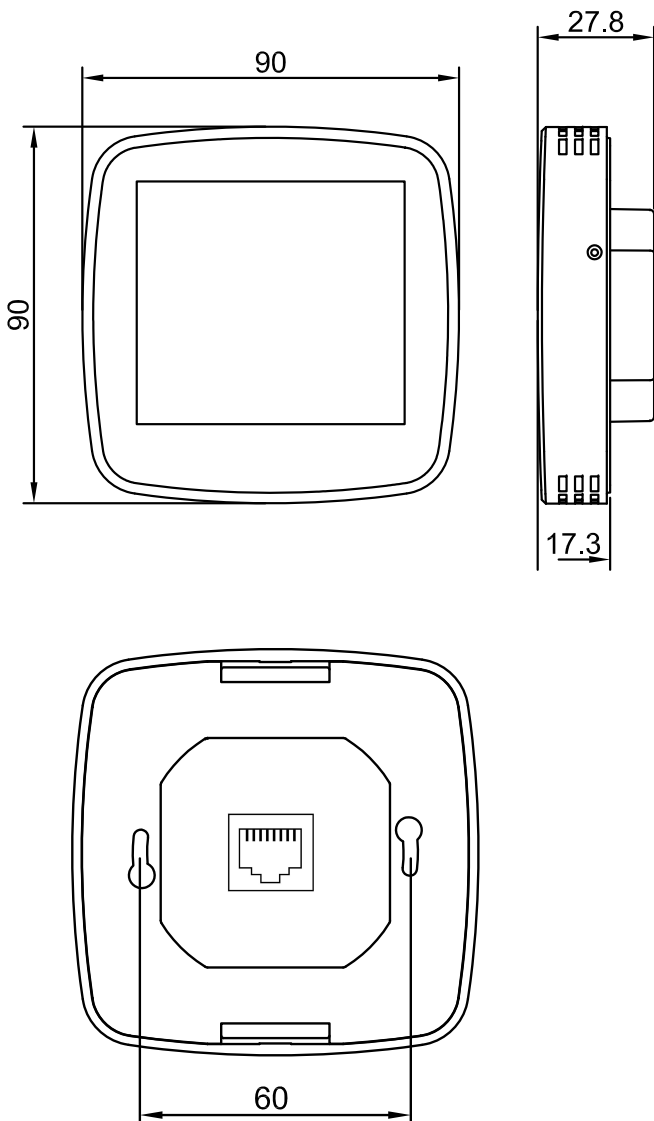
Dimensions (TH-1732D):

Unit: mm



Dimensions (TH-1732C):

Unit: mm



3) To Install Thermostat

1. The thermostat should be mounted on an inside wall of a room where heating is installed, approx. 5 ft. (1.5m) above the floor.
2. Avoid areas that exhibit unusual heating or cooling conditions such as in direct sunlight, near a fireplace, stove, door, window, or stairway.
3. Be aware of furnishings which may block airflow or alter temperature such as; sofas, chairs, bookcases, track lighting, lamps, stereo components, television sets.
4. Hot water pipes in the wall, a stove, refrigerator, or fireplace on the other side of a prospective wall may affect the accuracy of your thermostat.
5. Locating the thermostat in a damp area will cause corrosion, and shorten the life of the thermostat.
6. Do not install where air circulation is poor (ie. In a corner, or an alcove, or behind an open door).
7. All construction work and painting should be complete before installing unit.
8. This thermostat does not require leveling.

SAVE THIS INSTRUCTIONS

Installation Instruction for the electrician



Electrical connection



Before commencing any work on the electrical connections, you must first disconnect the device from the mains. None of the 230V-connections

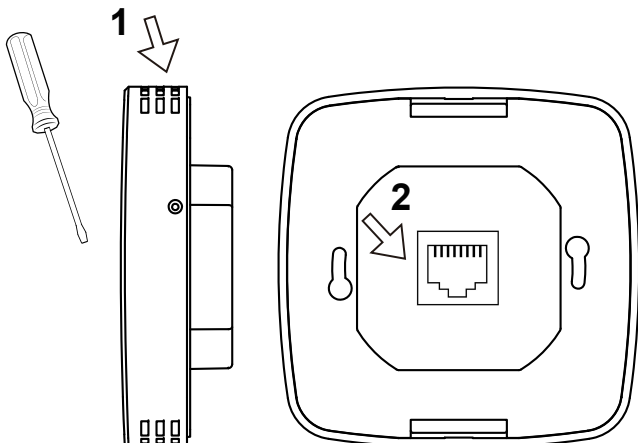
must be live until the installation has been completed and the housing is closed. Only qualified electrician or the manufacturer's service staff are permitted to open the terminal box.

Caution!

There are parts that carry mains voltage behind the cover. The terminal box must not be left unsupervised when it is open (Prevent non-specialists and especially children, from gaining access to it)

3-1.Installation (TH-1732C)

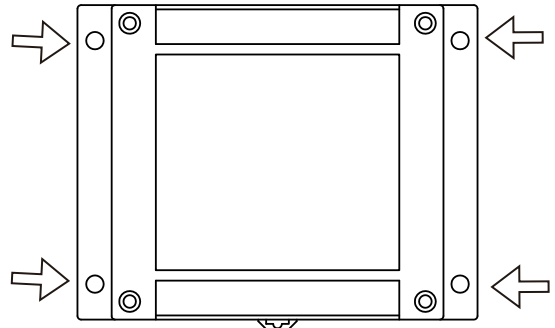
1. Use a flathead screwdriver to open the front housing from the top side of the thermostat.
2. Insert RJ45 jack cable on the back of TH-1732C
3. Fix the back cover to the wall with the screws and anchors.
4. Replace the front housing back onto the thermostat.



3-2.Installation (TH-1732D)

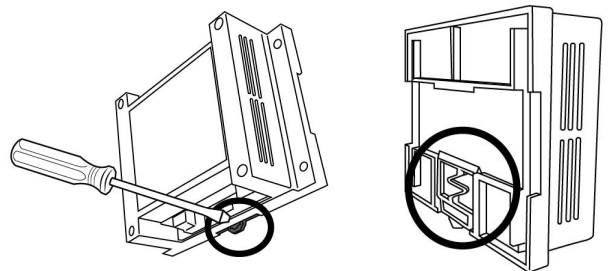
**Mount the unit on the wall

Use four screws to fix the unit on the wall

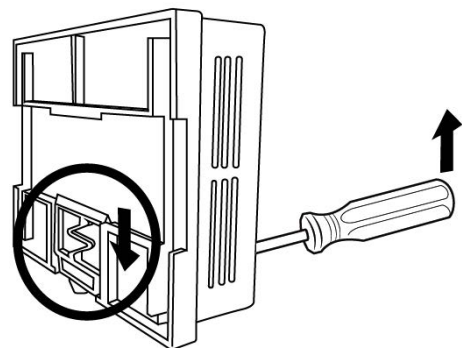


**Mount the unit on the din-rail

Follow the graphic description below when mounting the unit



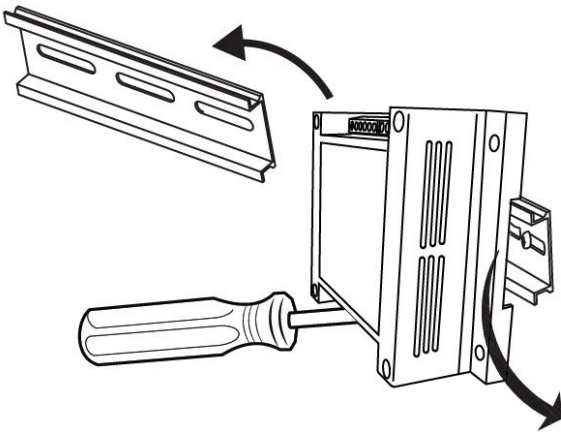
Insert a Flat-head screw-driver in the position as shown above.



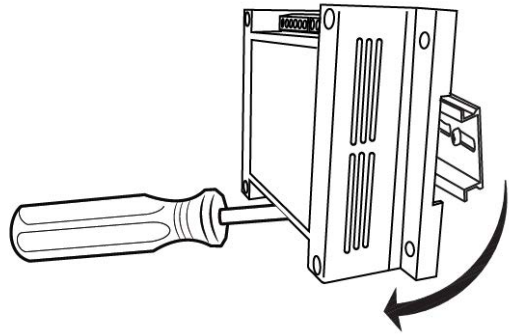
Tilt the screw-driver to the direction as shown above to push down the retractor.

SAVE THIS INSTRUCTONS

****Remove the unit on the din-rail**



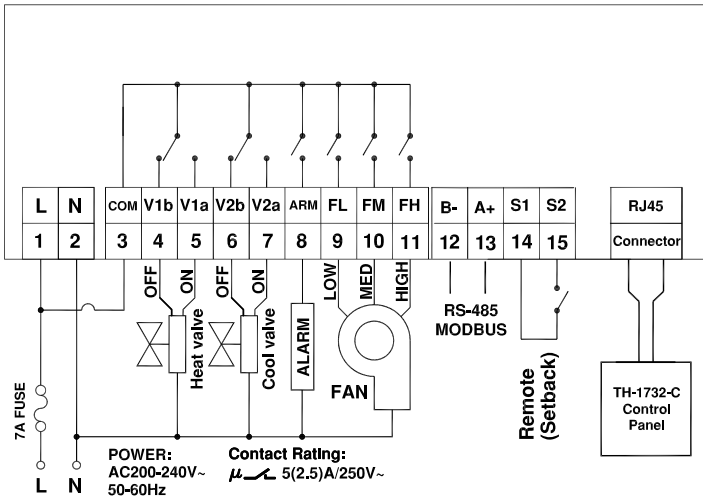
Align the top of the back plastic housing with the top of the Din-rail.
Push down the retractor and mount.



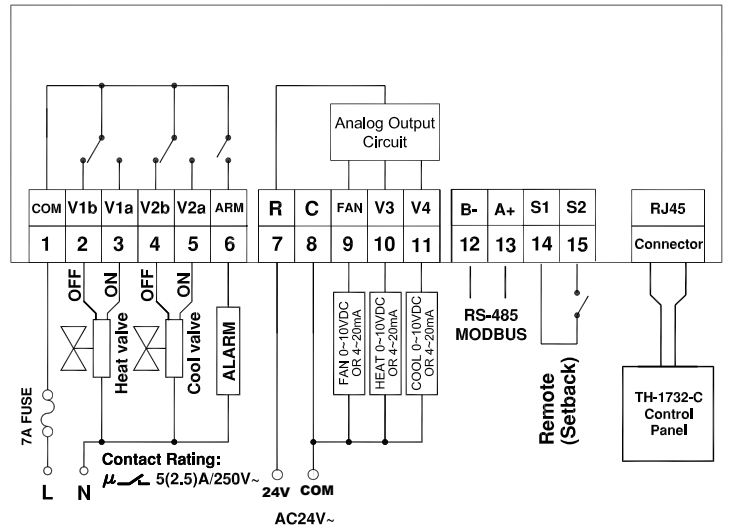
Push down the retractor to remove the unit off the din-rail.

3-3 .Wiring diagram

TH-1732D-2



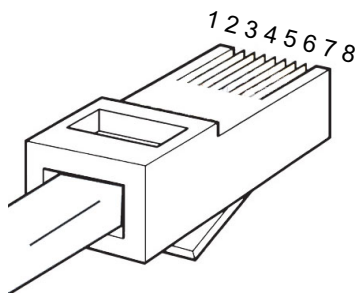
TH-1732D-3



3-4.Communication cable

Use RJ45 (8p8c) connector cable to connect TH-1732C and TH-1732D.
The recommended maximum length is 20M.

**RJ45
Pinout**



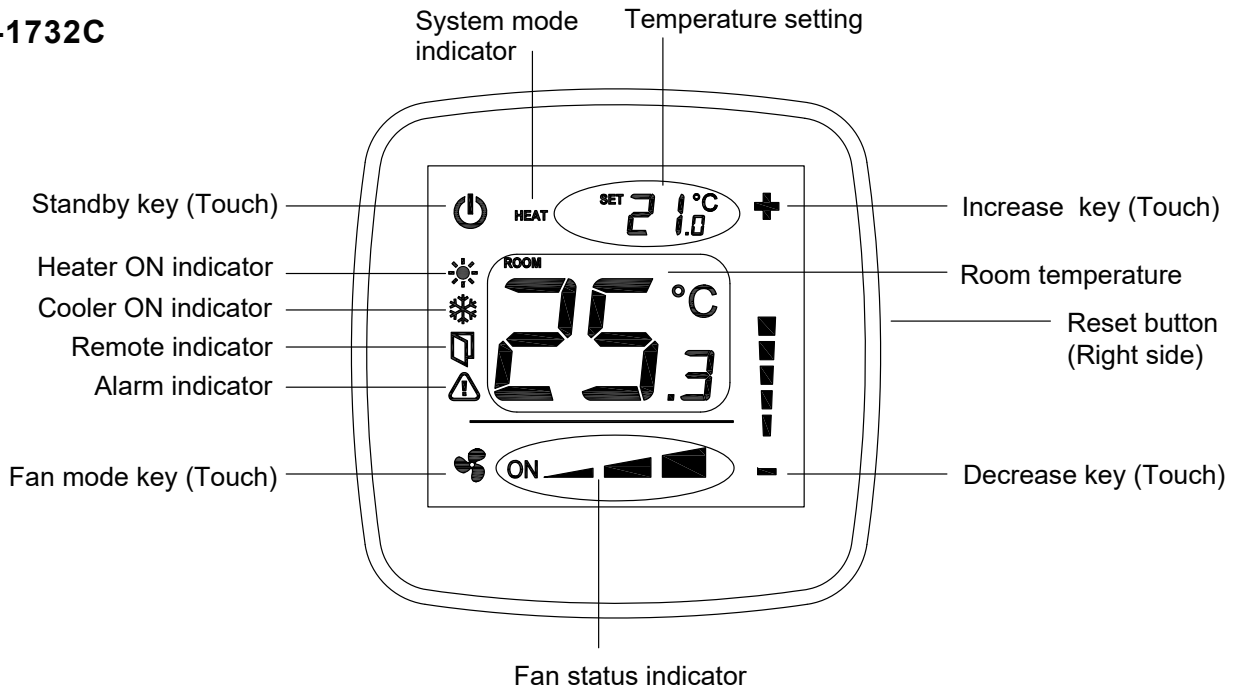
Cat-5 or higher cable

- | | |
|----------------|---------------|
| 1:White Green | 5:White Blue |
| 2:Green | 6:Orange |
| 3:White Orange | 7:White Brown |
| 4:Blue | 8:Brown |

SAVE THIS INSTRUCTIONS

4) Descriptions

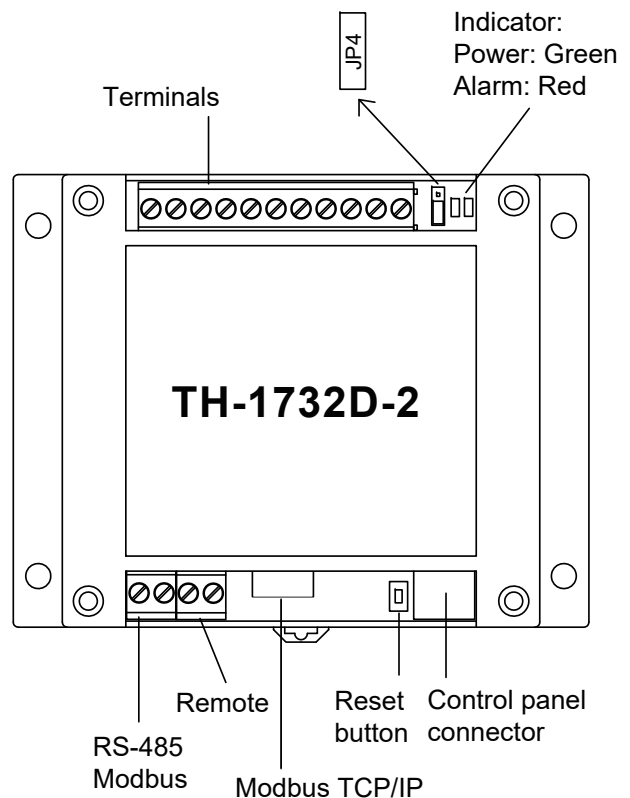
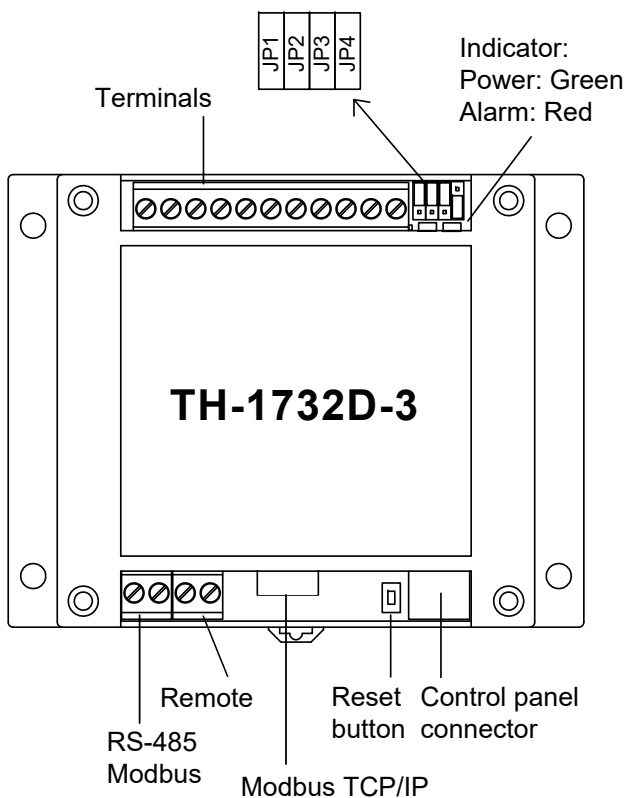
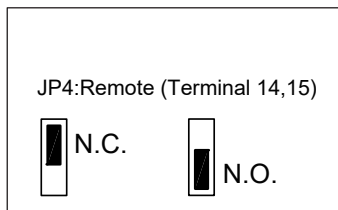
TH-1732C



Jumper setting:



Jumper setting:



SAVE THIS INSTRUCTIONS

5) Operation

[Setting temperature]

Press **+** or **-** and the LCD will show a flashing temperature with "TEMP SET" symbol.

Proceed and press **+** or **-** to set a desired temperature.

Adjustable temperature range is from 5°C to 35°C, with 0.5°C resolution per step. When completed setting of desired emperature, please wait for 3 seconds until the LCD stops flashing and the thermostat starts to operate.

[Stand-by mode]

Press and hold **⏻** for 3 seconds,will enter "Stand-by" mode.Stand-by mode, LCD shows "OFF".

Press **⏻** again will disable the "Stand-by" mode and return to normal mode.


[System mode setting]


press **⏻** to switch system mode
HEAT,COOL or AUTO .


[Fan mode setting]


Press **⚙** to switch Fan mode.

The fan speed will switch to Low -- Med -- High -- Auto -- Off by pressing **⚙** alternately.

Fan Low ---- ON 

Fan Med ---- ON 

Fan High ---- ON 

Fan Auto ---- ON 

Fan Off ---- Do not show

[Fan speed voltage]

Press FAN Key for 10 sec. and enter FAN speed mode. The setting range is as your request.

L: 1V – 3V

M: 1V – 5V

H: 2V – 10V

[Advanced settings]

Press and hold **+** and **-** at the same time for 3 seconds to enter Advance Setting.

(TH-1732D-3 will enter OUT limit setting.)

(TH-1732D-2 will enter Hysteresis setting.)

Press **⏻** will enter calibration setting.

Press **⏻** again will enter address setting.

Press **⏻** again will enter baud rate setting.

Press **⏻** again will return to normal mode.

If no key pressed for more than 5 seconds,it will return to normal mode.

Out limit setting (Th-1732D-3 only)

Enter "Out limit " setting,LCD shows "SET OUT". Press **+** or **-** to set the desired one.

Out limit range is from 5 to 10.

5~10 means the analog output limits the maximum voltage or current.

(5~10V or 12~20mA).

Hysteresis setting (Th-1732D-2 only)

Enter "Hysteresis" setting,LCD shows "SET Hysteresis".

Press **+** or **-** to set the desired one.

Hysteresis (differential):0.2 /0.4/0.6/0.8/1.0°C

Calibration setting

Enter "Calibration" setting,LCD shows "SET CAL".

Press **+** or **-** to set the desired one.

Calibration range is from -5°C to +5°C, with 0.5°C resolution per step.

Address setting (Modbus)

Enter "Address" setting,LCD shows "SET Address".

Press **+** or **-** to set the desired one.

Address range is from 1 to 64.

Baud rate setting (Modbus)

Enter "Baud rate" setting,LCD shows "SET bps(k)".

Press **+** or **-** to set the desired one.

The baud rate can be setting to 9600 or 19200 bps.

SAVE THIS INSTRUCTONS

Remote setback function

Enter "Remote setback" setting
Press **+** or **-** to select ON or OFF.

Select ON: It is the original Setback function, setback set temperature =16°C.

Select OFF: Controller stop during Setback, LCD display OPN.

[Key lock]

Press and hold **⏻** then press **+** to switch lock on/off.

6) Supplement

*** Frost Protection function

When the system is under heat or Auto mode running stand-by mode will trigger Heater ON and maintain the room temperature at 5°C .

*** Remote setback function

When the remote setback contact starts, the system will operate in energy saving mode.(Heat:16°C / Cool: 27°C)

*** Alarm function

The following conditions will start the Aalarm output.

- A)Abnormal connection between control panel and controller.
- B)Heater-ON(Cooler-ON) for more than 5 minutes, set temperature and room temperature greater than 5°C.
- C)Sensor is abnormal.

7) Communication descriptions

Protocol: MODBUS-RTU/SLAVE

Interface: RS-485/baud rate:9600/19200bps

8-N-1(8 data bit/ No parity bit/1 start/stop bit)

Address range: 01~64

Function 1 (Read)		
Address	Output status	Descriptions
0	Heat valve	0 : Off \ 1 : On
1	Cool valve	0 : Off \ 1 : On
2	Alarm	0 : Off \ 1 : On
3	Fan Low	0 : Off \ 1 : On
4	Fan Medium	0 : Off \ 1 : On
5	Fan High	0 : Off \ 1 : On

Function 2 (Read)		
Address	Input status	Descriptions
0	Model	0 : TH-1732D-2 1 : TH-1732D-3
2	Remote switch	0 : Release 1 : Active

Table 1 (Temperature calibration)

Value	0	1	2	3	4	5	6	7	8	9	10
°C	-5.0	-4.5	-4.0	-3.5	-3.0	-2.5	-2.0	-1.5	-1.0	-0.5	0
Value	11	12	13	14	15	16	17	18	19	20	
°C	+0.5	+1.0	+1.5	+2.0	+2.5	+3.0	+3.5	+4.0	+4.5	+5.0	

Table 2 (Differential)

Value	2	4	6	8	10
°C	0.2	0.4	0.6	0.8	1.0

Function 3 (Read) / 6 (Write)			
Address	Register Name	RW	Descriptions
0	System status	R	0 : Heat \ 1 : Cool
1	Analog OUT (Heat or Cool)	R	0~100% (TH-1732D-3 only)
2	Analog OUT (Fan)	R	0~100% (TH-1732D-3 only)
8	System mode	RW	1:Heat / 2:Cool 3:Auto
9	Fan mode	RW	0:Auto / 1:Low 2:Med / 3:High
10	Power status	RW	0:Stand-by 1:ON
11	Limit	R	5~10 (TH-1732D-3 only)
12	Calibration	R	**Table 1
13	Differential	R	**Table 2 (TH-1732D-2 only)
14	Room Temp.	R	Value: 0~500 (0~50.0°C)
15	Current Setting Temp.	RW	Value: 50~350 (5.0~35.0°C)
16	Key lock	RW	0:Lock off 1:Lock on
17	Setback	RW	0:Low setting temp 1:System off

SAVE THIS INSTRUCTONS

Web configuration

In Web configuration, ensure that the computer and the serial server are in the same IP segment and know the IP address of the serial server in advance.

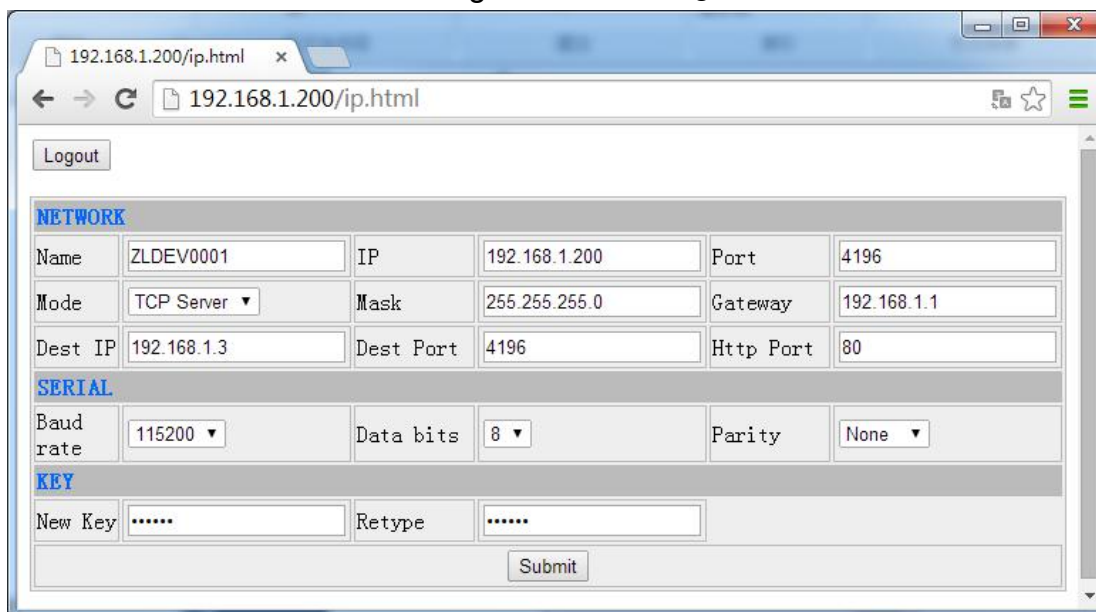
1. Enter the IP address of the serial port server in the address box of the browser, for example,

http://192.168.1.200.



2. Enter the Password in Password: The default Password is 123456.

Click the login button to login.



Web configuration page

3. You can modify serial port server parameters on the displayed web page.
4. After modifying parameters, click "Submit modification" button